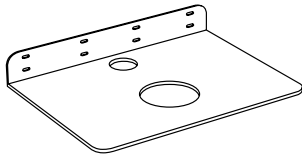


Wall Mount Sink Installation

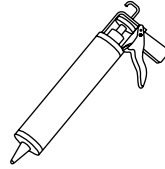
(Masonry Wall)



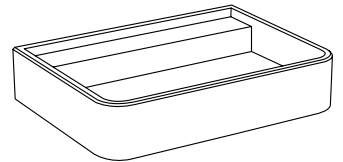
Plate



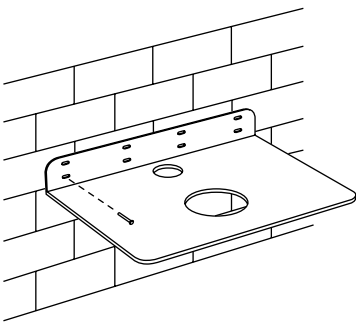
Screws



Silicone

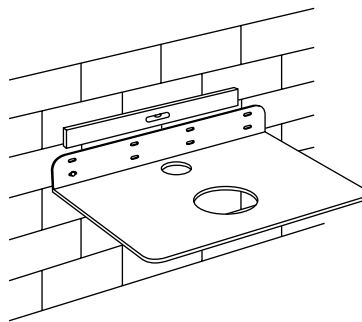


Sink



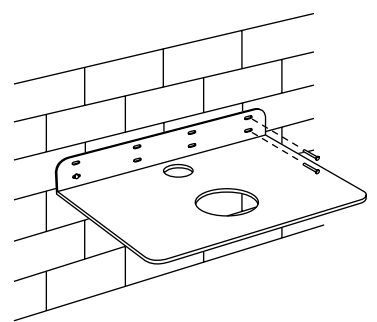
1

Drill the first hole and secure the plate with a single screw.



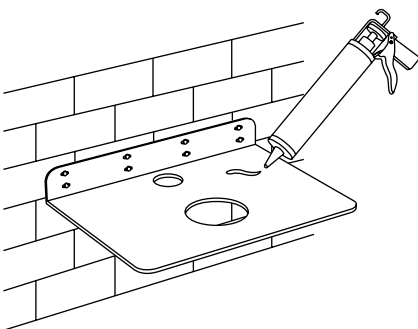
2

Position the level plate.



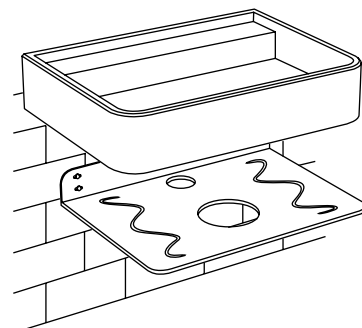
3

Drill the rest of the holes and screw in all the screws.



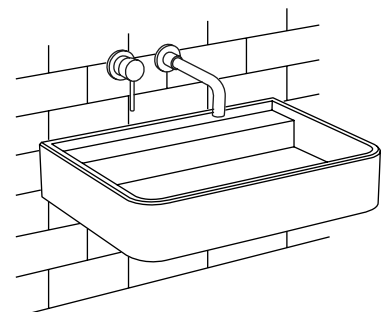
4

Place a silicone seal on the entire plate.



5

Place the basin on the plate and let dry for 24 hours.

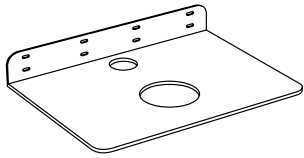


6

After 24 hours, you can use your basin.

Wall Mount Sink Installation

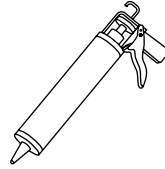
(Timber Frame Wall)



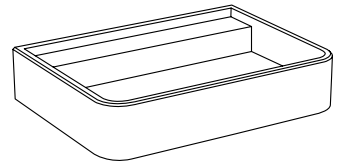
Plate



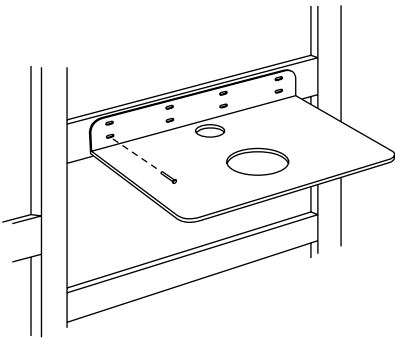
Screws



Silicone

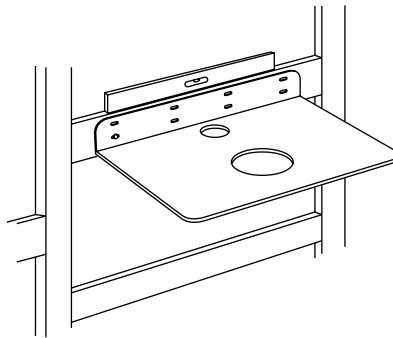


Sink



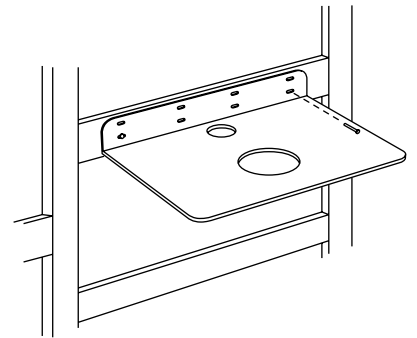
1

Drill the first hole and secure the plate with a single screw.



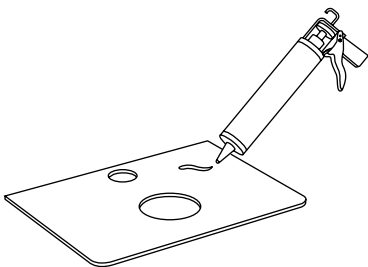
2

Position the level plate.



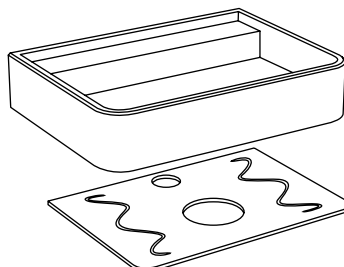
3

Drill the rest of the holes and screw in all the screws.



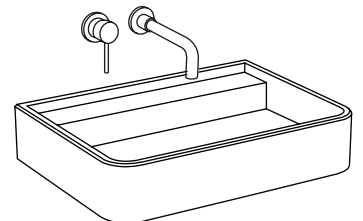
4

Place a silicone seal on the entire plate.



5

Place the basin on the plate and let dry for 24 hours.



6

After 24 hours, you can use your basin.